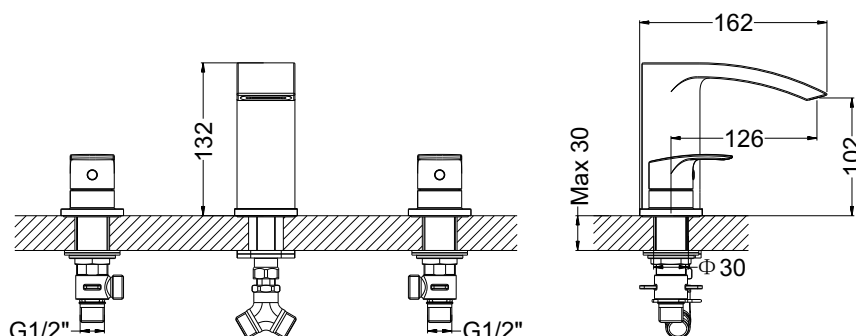
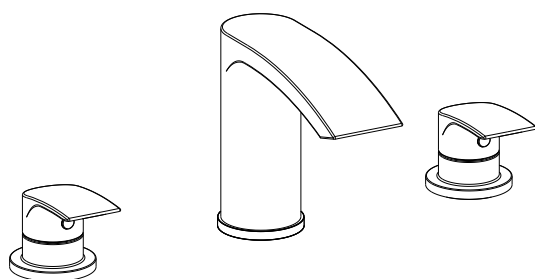


# Specification Sheet

## Bath Filler 3 Hole

ADORA



## Product Specification

<b>Product Code:</b>	MBFW330D
<b>Finish:</b>	Chrome plated
<b>Construction:</b>	Bodies of tap are solid brass castings and the handles are zinc cast
<b>Valve Type:</b>	Quarter turn ceramic disc headwork
<b>Supply:</b>	Suitable for high pressure systems
<b>Inlet Connection:</b>	G1/2" male tail
<b>Water Pressure:</b>	Range from a minimum pressure of 1bar to a maximum pressure of 5bar
<b>Net Weight:</b>	2.42Kg

**Technical Advice:** For further information, please email [technical@adora-bathrooms.co.uk](mailto:technical@adora-bathrooms.co.uk) or visit [www.adora-bathrooms.co.uk](http://www.adora-bathrooms.co.uk)

**Guarantee:** The product carries a 5 year guarantee, **excluding** the ceramic (head/cartridge) which is covered by a 12 month guarantee

## Flow Rates(litres per minute)

System pressure	0.2bar	0.5bar	1bar	2bar	3bar
MBFW330D	10	12.7	19.1	25.8	34.5

We reserve the right to make technical modifications without prior notice