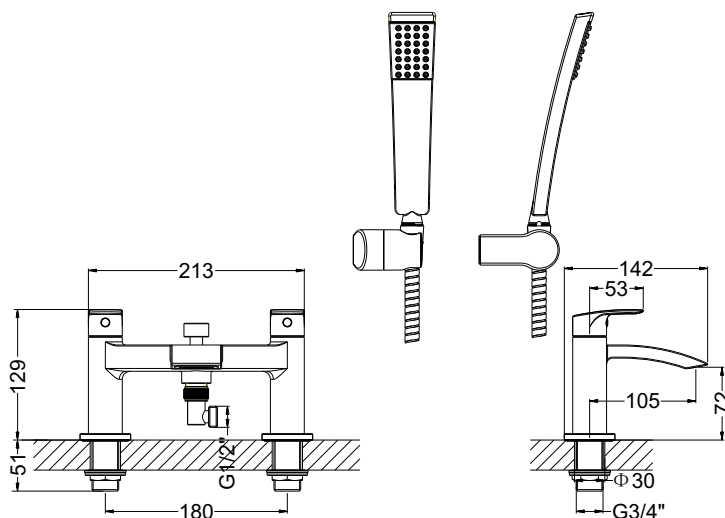
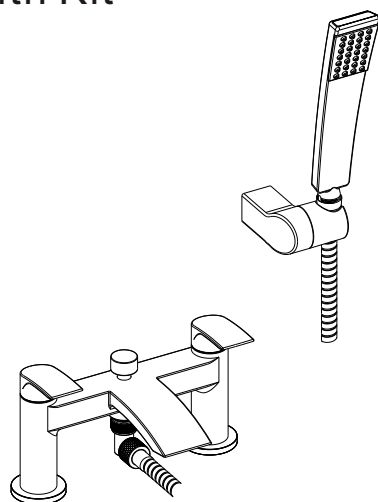


Specification Sheet

Bath Shower Mixer Dual Lever With Kit

ADORA



Product Specification

| | |
|--------------------------|---|
| Product Code: | MBFW422D |
| Finish: | Chrome plated |
| Construction: | Bodies of tap are solid brass castings and the handles are zinc cast |
| Valve Type: | Quarter turn ceramic disc headwork |
| Supply: | Suitable for all plumbing systems |
| Inlet Connection: | G3/4" male tail |
| Water Pressure: | Range from a minimum pressure of 0.2bar to a maximum pressure of 5bar |
| Net Weight: | 2.2Kg |

Technical Advice: For further information, please email technical@adora-bathrooms.co.uk or visit www.adora-bathrooms.co.uk

Guarantee: The product carries a 5 year guarantee, **excluding** the ceramic (head/cartridge) which is covered by a 12 month guarantee

Flow Rates(litres per minute)

| System pressure | 0.2bar | 0.5bar | 1bar | 2bar | 3bar |
|-----------------|--------|--------|------|------|------|
| MBFW422D | 17.7 | 21.4 | 32.3 | 48.3 | 60 |

We reserve the right to make technical modifications without prior notice