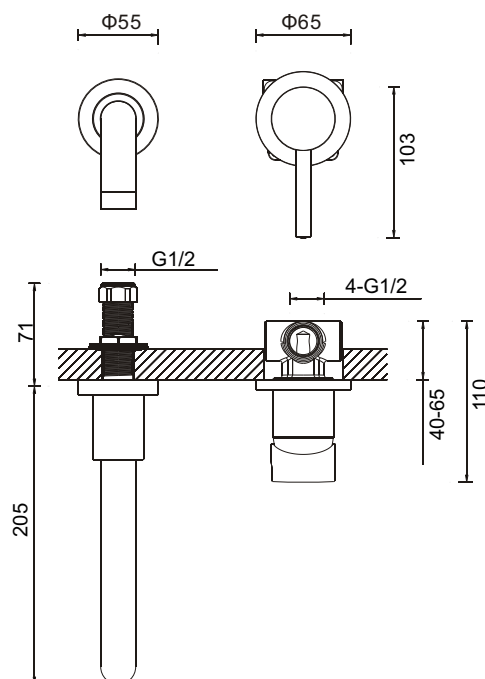
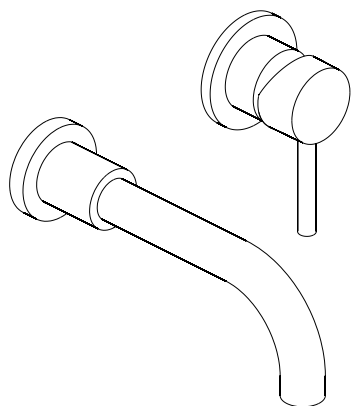


Specification Sheet

Basin 2 Hole Set -Wall Mounted no Waste

ADORA



Product Specification

Product Code:	MBFU120W
Finish:	Chrome plated
Construction:	Bodies of tap are solid brass castings and the handles are zinc cast
Valve Type:	35mm single lever ceramic disc cartridge
Supply:	Suitable for all plumbing system
Inlet Connection:	G1/2" connector
Water Pressure:	Range from a minimum pressure of 0.2bar to a maximum pressure of 5bar
Net Weight:	1.19Kg

Technical Advice: For further information, please email technical@adora-bathrooms.co.uk or visit www.adora-bathrooms.co.uk

Guarantee: The product carries a 5 year manufacturer's guarantee, **excluding** the ceramic disc cartridge- it is covered by a 12 month guarantee

Flow Rates(litres per minute)

System pressure	0.2bar	0.3bar	0.5bar	1bar	2bar	3bar	5bar
MBFU120W	8.8	10.6	12.2	17.5	25.2	30.7	39.2

For any information please email

Or visit our web-site at www.adora-bathrooms.co.uk
We reserve the right to make technical modifications without prior notice