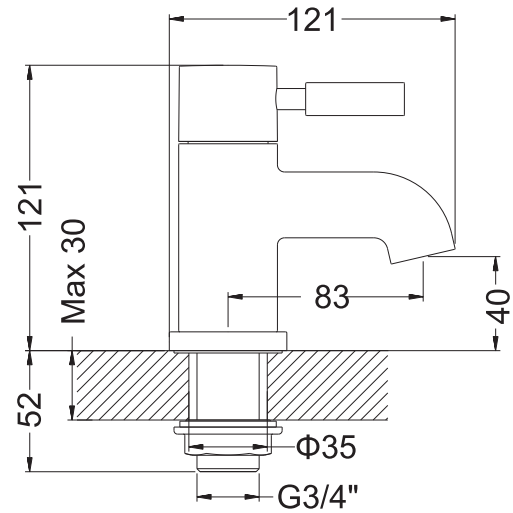
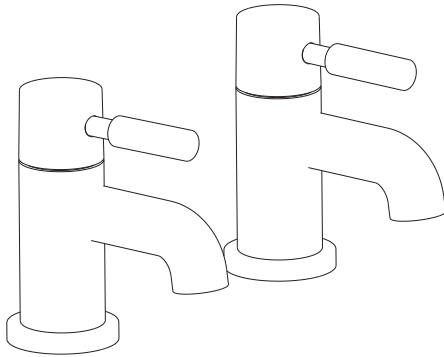




Specification Sheet

Bath Pillar Taps



Product Specification

- Product Code:** MBFU340D
- Finish:** Chrome plated
- Construction:** Bodies of tap are solid brass castings and the handles are zinc cast
- Valve Type:** Quarter turn ceramic disc headwork
- Supply:** Suitable for all plumbing system
- Inlet Connection:** G3/4" male tail
- Water Pressure:** Range from a minimum pressure of 0.1bar to a maximum pressure of 5bar
- Net Weight:** 1.47Kg

Technical Advice: For further information, please email technical@adora-bathrooms.co.uk or visit www.adora-bathrooms.co.uk

Guarantee: The product carries a 5 year manufacturer's guarantee, **excluding** the ceramic disc headwork - this is covered by a 12 month guarantee.

Flow Rates(litres per minute)

System pressure	0.1bar	0.2bar	0.5bar	1bar	3bar
MBFU340D	16	20	21	31.5	55.5

We reserve the right to make technical modifications without prior notice