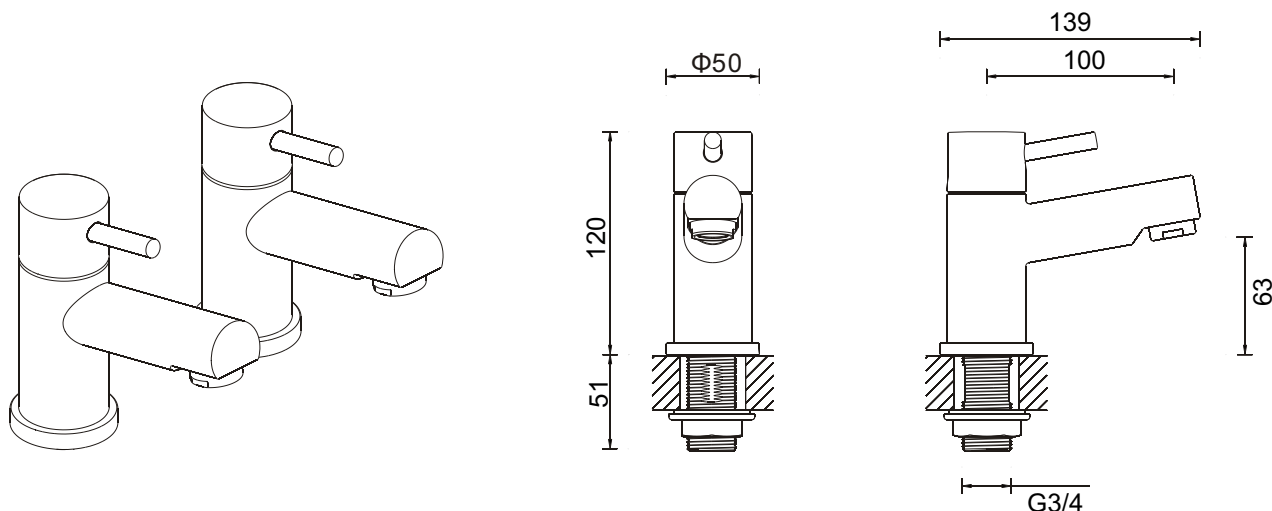


# Specification Sheet

## Bath Pillar Taps Pair

ADORA



## Product Specification

|                          |   |
|--------------------------|---|
| <b>Product Code:</b>     | MBGO340D+   |
| <b>Finish:</b>           | Chrome plated   |
| <b>Construction:</b>     | Bodies of tap are solid brass castings and the handles are zinc cast  |
| <b>Valve Type:</b>       | Quarter turn ceramic disc headwork                                    |
| <b>Supply:</b>           | Suitable for all plumbing system                                      |
| <b>Inlet Connection:</b> | G3/4" male tail   |
| <b>Water Pressure:</b>   | Range from a minimum pressure of 0.2bar to a maximum pressure of 5bar |
| <b>Net Weight:</b>       | 1.79Kg  |

**Technical Advice:** For further information, please email [technical@adora-bathrooms.co.uk](mailto:technical@adora-bathrooms.co.uk) or visit [www.adora-bathrooms.co.uk](http://www.adora-bathrooms.co.uk)

**Guarantee:** The product carries a 5 year manufacturer's guarantee, **excluding** the ceramic disc headwork- it is covered by a 12 month guarantee

## Flow Rates(litres per minute)

| System pressure | 0.2bar | 0.3bar | 0.5bar | 1bar |
|-----------------|--------|--------|--------|------|
| MBGO340D+       | 16.3   | 16.5   | 24.2   | 32.9 |

For any information please email

Or visit our web-site at [www.adora-bathrooms.co.uk](http://www.adora-bathrooms.co.uk)  
We reserve the right to make technical modifications without prior notice