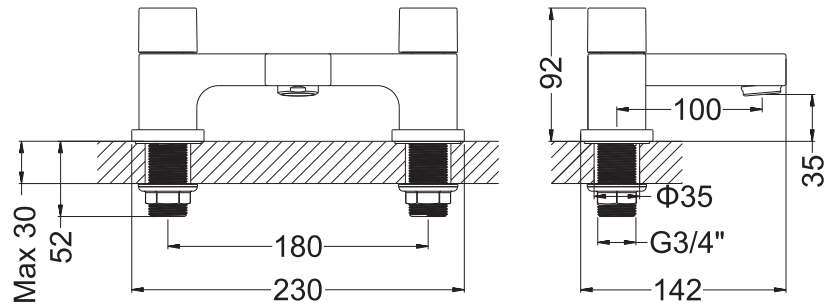
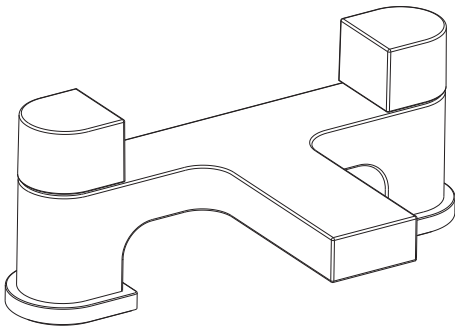


Specification Sheet

Bath Filler dual lever



Product Specification

Product Code:	MBPS322D
Finish:	Chrome plated
Construction:	Bodies of tap are solid brass castings and the handles are zinc cast
Valve Type:	Quarter turn ceramic disc headwork
Supply:	Suitable for all plumbing system
Inlet Connection:	G3/4" male tail
Water Pressure:	Range from a minimum pressure of 0.2bar to a maximum pressure of 5bar
Net Weight:	1.89Kg

Technical Advice: For further information, please email technical@adora-bathrooms.co.uk or visit www.adora-bathrooms.co.uk

Guarantee: The product carries a 5 year manufacturer's guarantee, **excluding** the ceramic disc headwork - this is covered by a 12 month guarantee.

Flow Rates(litres per minute)

System pressure	0.2bar	0.5bar	1bar	2bar
MBPS322D	20	21	30.5	44.5

We reserve the right to make technical modifications without prior notice