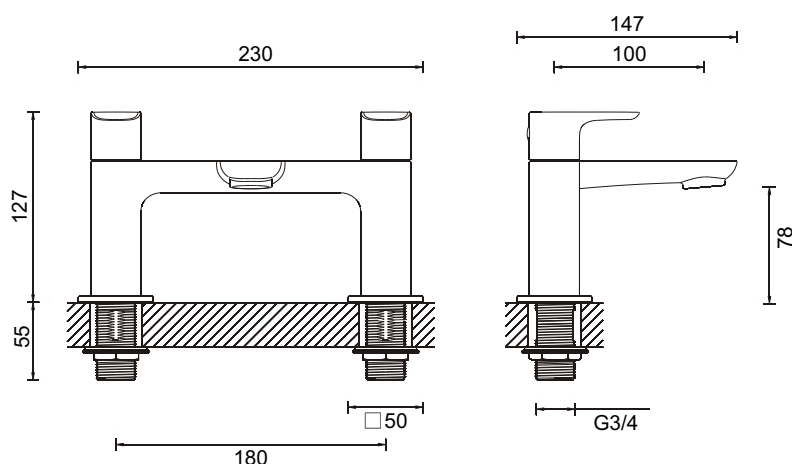
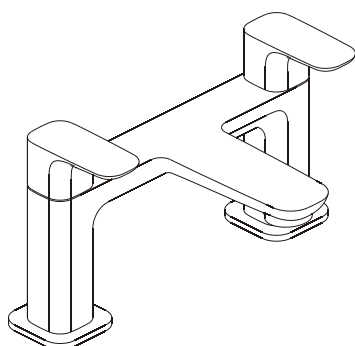


# Specification Sheet

## Bath Filler Dual Lever

ADORA



## Product Specification

<b>Product Code:</b>	MBSN322D
<b>Finish:</b>	Chrome plated
<b>Construction:</b>	Bodies of tap are solid brass castings and the handles are zinc cast
<b>Valve Type:</b>	Quarter turn ceramic disc headwork
<b>Supply:</b>	Suitable for all plumbing system
<b>Inlet Connection:</b>	G3/4" male tail
<b>Water Pressure:</b>	Range from a minimum pressure of 0.2bar to a maximum pressure of 5bar
<b>Net Weight:</b>	1.76Kg

**Technical Advice:** For further information, please email [technical@adora-bathrooms.co.uk](mailto:technical@adora-bathrooms.co.uk) or visit [www.adora-bathrooms.co.uk](http://www.adora-bathrooms.co.uk)

**Guarantee:** The product carries a 5 year manufacturer's guarantee, **excluding** the ceramic disc headwork- it is covered by a 12 month guarantee

## Flow Rates(litres per minute)

System pressure	0.2bar	0.3bar	0.5bar	1bar
MBSN322D	15.2	19	23.2	32.1

For any information please email

Or visit our web-site at [www.adora-bathrooms.co.uk](http://www.adora-bathrooms.co.uk)  
We reserve the right to make technical modifications without prior notice