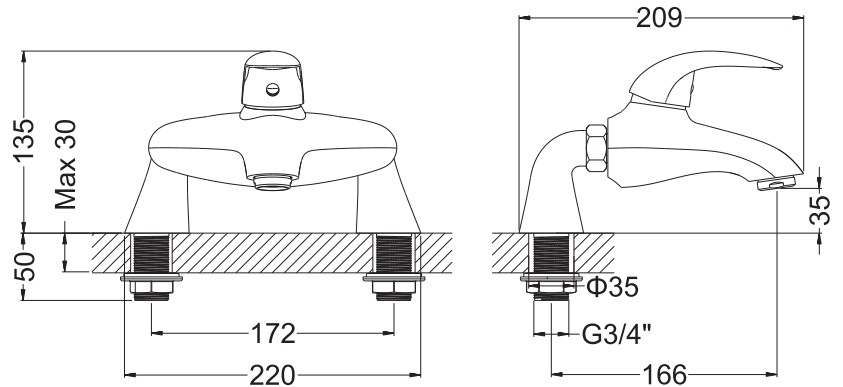
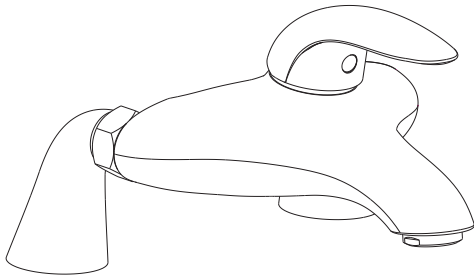


Specification Sheet

Bath Filler single lever



Product Specification

- Product Code:** MBSY321D
- Finish:** Chrome plated
- Construction:** Bodies of tap are solid brass castings and the handles are zinc cast
- Valve Type:** 35mm single lever ceramic disc cartridge
- Supply:** Suitable for all plumbing system excluding gravity system
- Inlet Connection:** G3/4" male tail
- Water Pressure:** Range from a minimum pressure of 2bar to a maximum pressure of 5bar
- Net Weight:** 2.11Kg

Technical Advice: For further information, please email technical@adora-bathrooms.co.uk or visit www.adora-bathrooms.co.uk

Guarantee: The product carries a 5 year manufacturer's guarantee, **excluding** the ceramic disc cartridge - this is covered by a 12 month guarantee.

Flow Rates(litres per minute)

System pressure	2bar	3bar	3.5bar	4bar	4.5bar
MBSY321D	19.8	23	26.1	27	29.6

We reserve the right to make technical modifications without prior notice